



Wiley Park Public School

Denman Avenue
 Wiley Park NSW 2195
 PH: 97500144

25th March 2025

Dear Parents,

The school are ordering Year 6 graduation polo-shirts as a memento of the Year 6 students' final year at Wiley Park Public School.

These polo-shirts can be worn on school days throughout the year as part of their school uniform.

Parents are to be vigilant in ensuring that the correct size has been ordered for their child. To accurately measure, please lay your child's best fitting polo-shirt down flat and measure the width from underarm to underarm. Please follow the instructions below carefully as students will be unable to exchange shirts if the incorrect size is ordered.

The polo-shirt will be provided to the students as part of the 2025 Year 6 graduation gift from the school. Therefore, there will be no required payment for your child.

Please carefully complete the order form below to indicate the size of the Year 6 polo-shirt required for your child and return the note to your child's classroom teacher **before Tuesday 8th April 2025**.

Mr Thomson and Mr Forman
 Stage 3 teachers

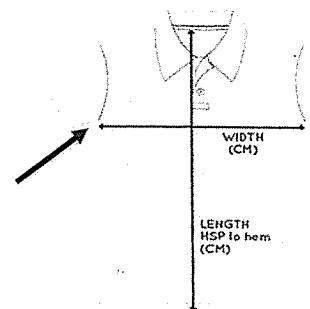
Mrs Demos
 Principal

I would like to order a Year 6 graduation polo-shirt for my child _____ in class ___ at **no cost**.

The following information is to help parents choose the correct polo-shirt size to fit your child.

1. Lay your child's best fitting polo-shirt flat and **measure the width from underarm to underarm**.
2. Then **place a tick under the size** that best matches your measurement from the chart below.

Please note: We do not recommend ordering size 10 unless it is for a small framed child.



SIZE CHART FOR YEAR 6 GRADUATION POLO-SHIRT

SIZE	10	12	14	16	S	M	L	XL	2XL	3XL	4XL
WIDTH (CM)	42.5cm	45cm	47cm	50cm	53.5cm	56cm	58.5cm	61cm	63.5cm	66cm	68.5cm
TICK											

Parent/ Guardian _____

Date: _____